

Mobil Tipp

The Mobil Tipp is a tiltable shower chair which can be used by people weighing up to 130 kg. This chair can be tilted from 5 ° forwards to 30 ° backwards. Tilting the seat forwards facilitates getting into and out of the chair, while tilting it backwards means that less steady users can sit safely and relax. Being able to tilt the seat also makes hair washing and toothcare easier, as well as making it easier to move the user with a hoist.

Available in two variants

The Mobil Tipp is available with gas piston control or with a motor for the tilt function. There is a range of accessories to choose from, to customise the chair to suit each individual user.

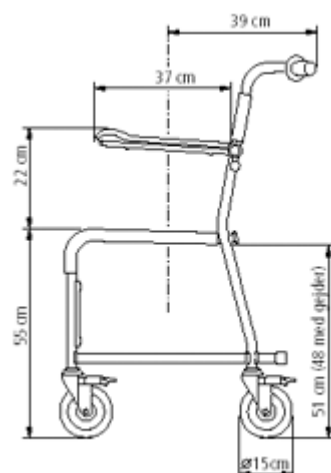


Mobil Tipp with gas piston



Mobil Tipp with motor

Description	Item no.
Mobil Tipp with motor	8020 9003
Mobil Tipp with gas piston	8020 9017



Dimensions	Total width: 64 cm Width between armrests: 44.5 cm Seat width: 48 cm
Weight	With gas piston: 15.6 kg With motor: 23 kg Max user weight: 130 kg
Material	Chassis: powder-coated tubular steel Seat/armrests: polypropylene Backrest/cushion: polyester/polyurethane Footrest brackets: aluminium Castors, lockable: mounted in ball bearings, polyamide/TPE
Electric supply for motor	24 V sealed lead battery. Able to withstand frequent charging. Moisture proofed in accordance with IP65.
Care	Regular cleaning and checking of castors, brakes and tilt function. Clean the product with a solvent-free detergent which has a pH of 6-9, or with a 70% disinfectant solution. Can be decontaminated at max. 85°C if so required.
Design	A&E Design AB

